

FIND YOURS

MARCH 2023

KRAAB
SYSTEMS



ABOUT US

Profile systems from KRAAB SYSTEMS are fully integrated all-in-one interior solutions, consistent with modern design standards. The company possesses in-house production as well as in-house engineering & testing department. It has its own patents and over 80 business partners. The quality control is provided at all production stages.

PRODUCTS

SLIM 27

Profile systems with 27 mm maximum height

SLOTT

Profiles with SLOTT damper system

KRAAB

Harpoon profiles for PVC canvas

GIPPS

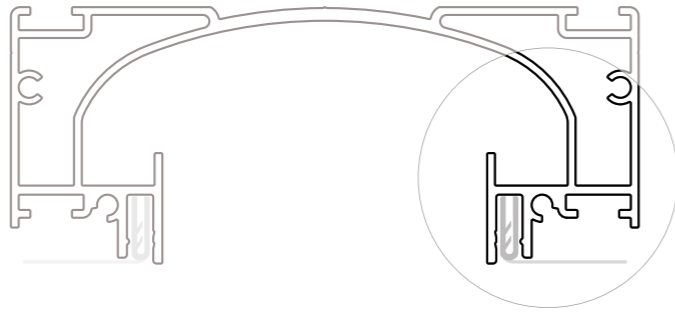
Profiles for drywall and general construction work

INNOVATIONS



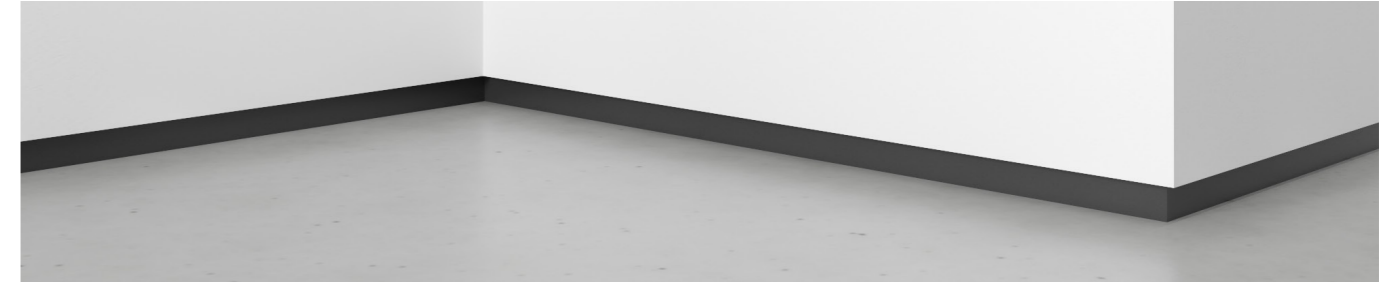
SHADOWLINE STRETCH CEILINGS

Profile systems EuroKraab and EuroSlott are used to implement clear and even shadow joints in stretch ceilings. The technology allows to create minimalistic interiors and get rid of the use of masking tape, inserts and other elements. The designs are made in such a way that the internal elements of the systems are concealed.



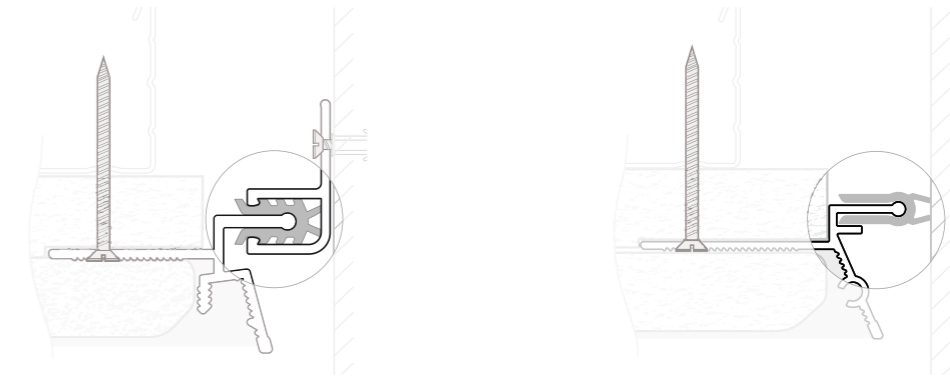
CANVAS MOUNTING SYSTEM

The SLOTT damper system is developed and patented by Kraab Systems for mounting a canvas in a profile. The canvas is held securely in place by installing it between the damper system and the solid counterpart. What makes this system different from the widely used harpoon system is that the canvas does not require special preparation and special cutting at factories, which shortens installation time and facilitates work. The damper system provides a gapless edge for canvas.



SHADOWLINE SKIRTING BOARDS FOR DRYWALL

The KRAAB GIPPS shadowline gypsum board technology prevents linear expansion, forms an even gap and a perfect shadow joint. The metal outer corner prevents various chips and deformations in the wall or plaster.



DRYWALL PROTECTION SYSTEM

The drywall damper systems developed and patented by Kraab Systems prevent possible damage to gypsum boards that could occur when the board is rigidly attached to the surface. The damper system cushions adverse impacts on the structure, prevents cracks on the gypsum board and plaster, and provides increased stability against possible loads that could arise during operation.

CONTENT



PERIMETER

| | |
|----------------------------|-------|
| Shadowline ceiling | 8-13 |
| Floating ceiling | 14-15 |
| Shadowline skirting boards | 16-19 |



LIGHT

| | |
|--|-------|
| GIPPS INTRUDER track integration systems | 20-23 |
| GIPPS 35 recessed light line | 24-25 |



CURTAINS

| | |
|-------------------------------------|-------|
| SLOTT MOTION electric curtain track | 26-27 |
|-------------------------------------|-------|



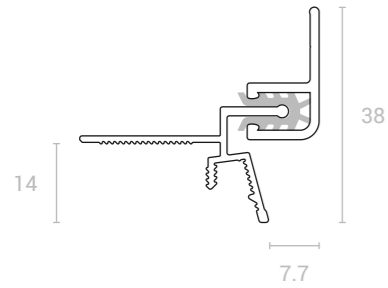
VENTILATION

| | |
|--------------------------|-------|
| GIPPS 5+ (slot diffuser) | 28-29 |
|--------------------------|-------|

SHADOWLINE CEILING

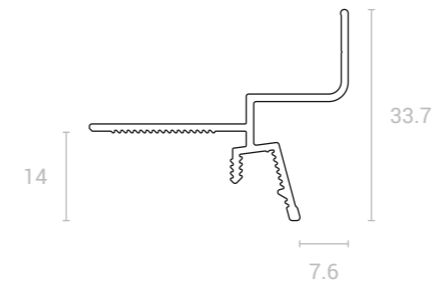
Shadow profile KRAAB GIPPS is an innovative profile that prevents cracks and any deformations that could appear in a ceiling drywall with time. The profile creates a perfect pairing of contrasting colors due to a shadow gap that looks equally good on both flat and textured surfaces.

The profiles should be mounted with two drywall sheets. KRAAB GIPPS with a damper system must be mounted to the wall. A profile without damper is not to be fixed to the wall.



KRAAB GIPPS (DAMPER SHADOW PROFILE)

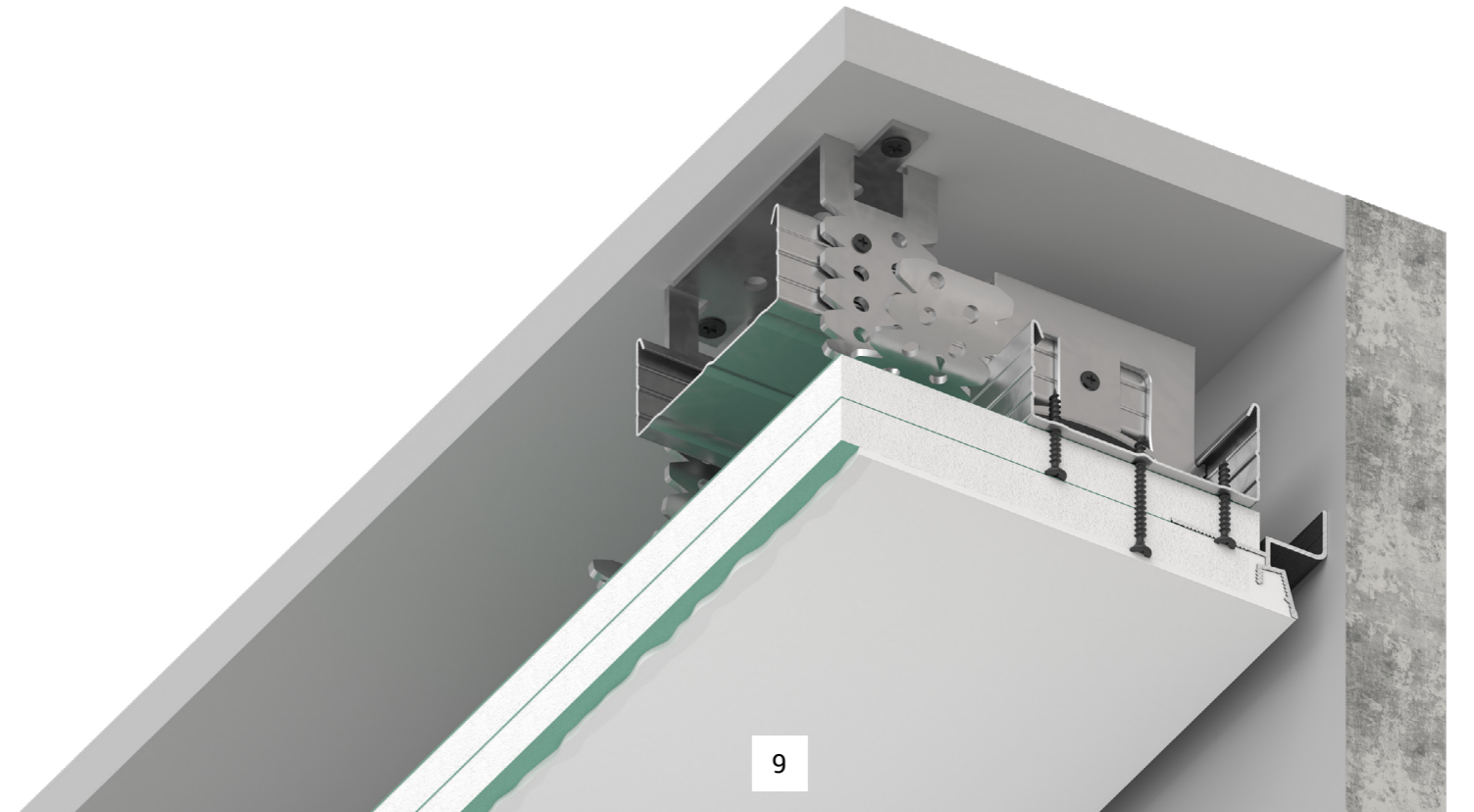
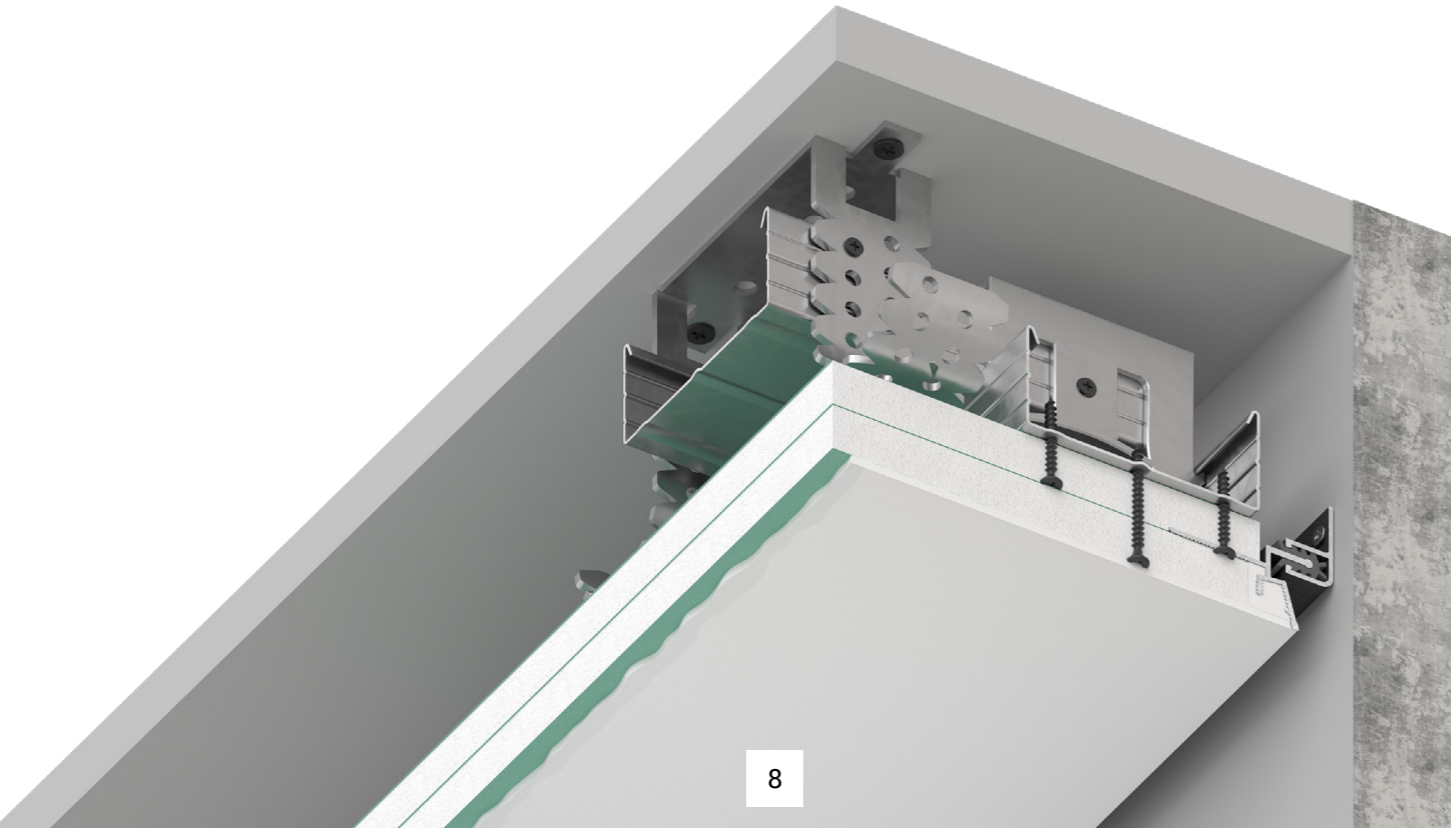
Color: black
Material: aluminum
Compatible: drywall



KRAAB GIPPS (SHADOW PROFILE)

Color: black
Material: aluminum
Compatible: drywall

The damper system in the solution cushions adverse impacts on the structure, prevents cracks in the drywall and plaster, and provides increased stability to loads arising during operation.





VIDEO



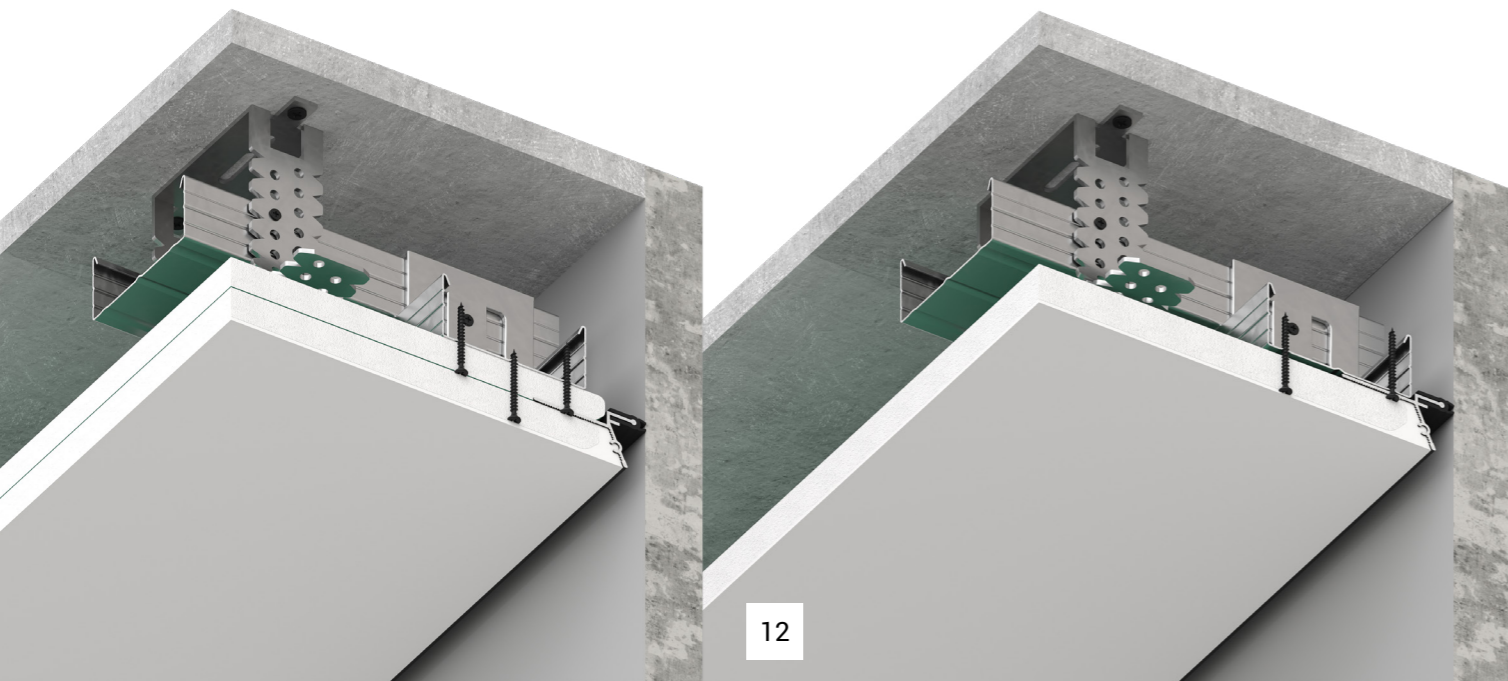
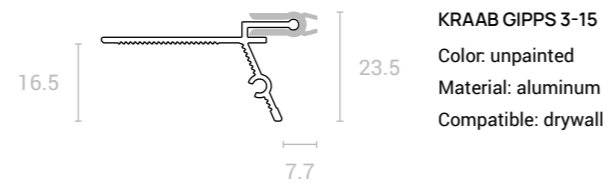
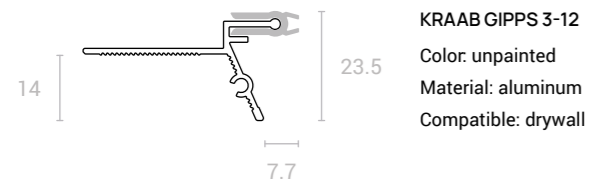
VR

SHADOWLINE CEILING

Damper-integrated shadow profiles Gipps 3-12 and Gipps 3-15 are designed for 12 mm and 15 mm drywall thickness, respectively. The advantage of the system is that it can be used on sloping (mansard) roofs. Having a damper in the system allows you to significantly reduce the likelihood of cracks in the ceiling plane.

KRAAB Gipps 3-12 docks perfectly with the GIPPS VILLAR 1.0 floating profile, as it has the same node of inclined visible part.

From an aesthetic point of view, the shadow profiles are designed to solve the problem of docking the wall and ceiling with the creation of an even shadow joint of 7 mm. This is particularly important when you need to join the wall and ceiling in contrasting colors and textured surfaces.

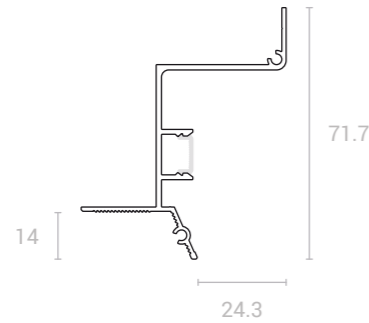


FLOATING CEILING

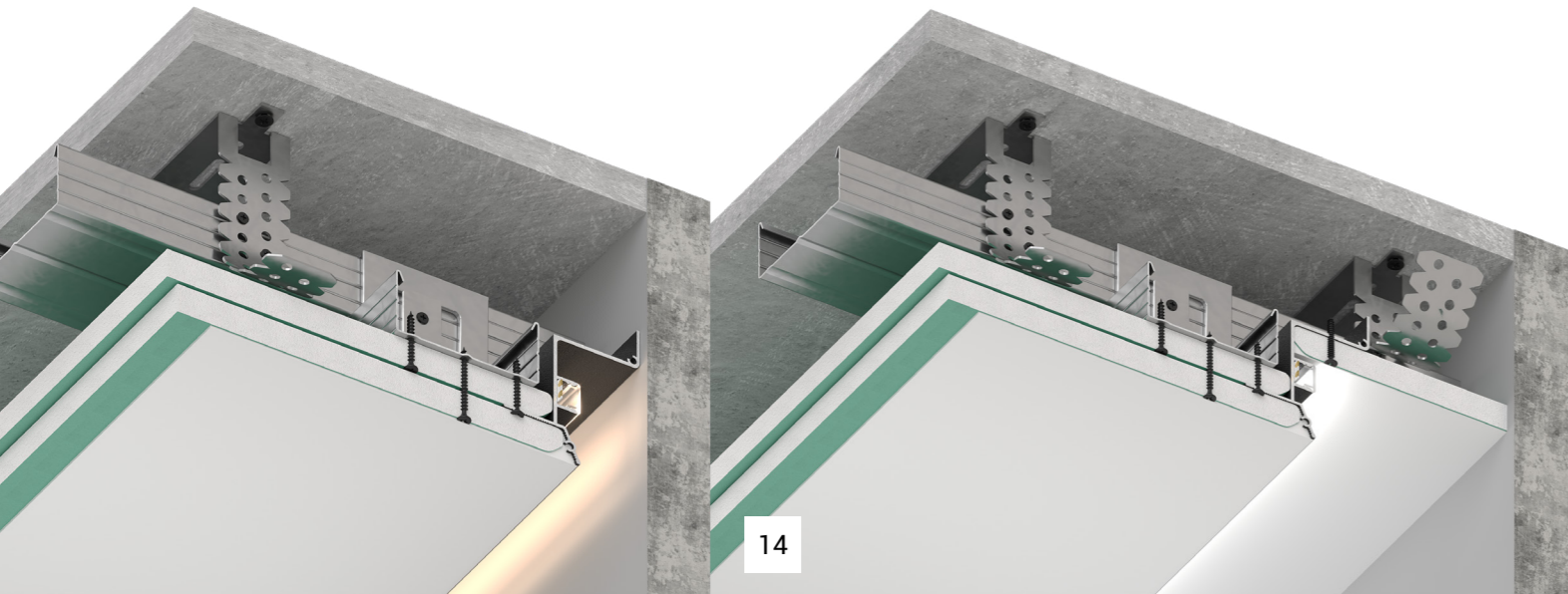
The effect of a ceiling “soaring in the air” is created by LED strip light, installed along the profile perimeter and fastening with an indent from the ceiling. The indentation from the wall is adjustable and can be of any distance from 2.5 cm.

Floating profile GIPPS VILLAR 1.0 doesn't show any wall irregularities thanks to the soft backlighting. It is ideal for joining the ceiling with textured wall surfaces and panels.

Floating ceilings enable you to visually expand the space in small rooms, or, on the contrary, to highlight the spaciousness of the room, if necessary. Such ceilings allow for creating a finish that hides the unevenness of the rough floor and internal connections within the ceiling. They also help in visually smoothing out the flaws of the room, as well as creating spectacular backlighting.



GIPPSVILLAR 2.0
Color: black, white
Material: aluminum
Compatible: drywall

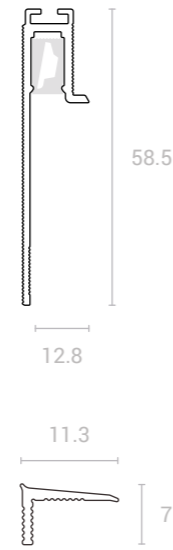


VR

SHADOW SKIRTING BOARD

Shadow skirting board is an advanced laconic solution for creating a minimalist interior.

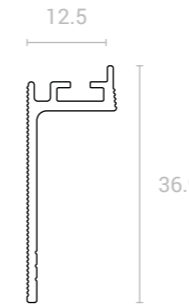
Shadow skirting board allows for harmonious matching floor and wall colors; it levels, smooths out the joint even amidst irregularities. One of the advantages of this solution is that it requires no mounted skirting board, which usually creates inconveniences when arranging furniture, preventing it from fitting snugly to the wall.



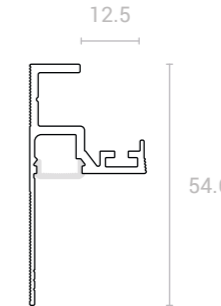
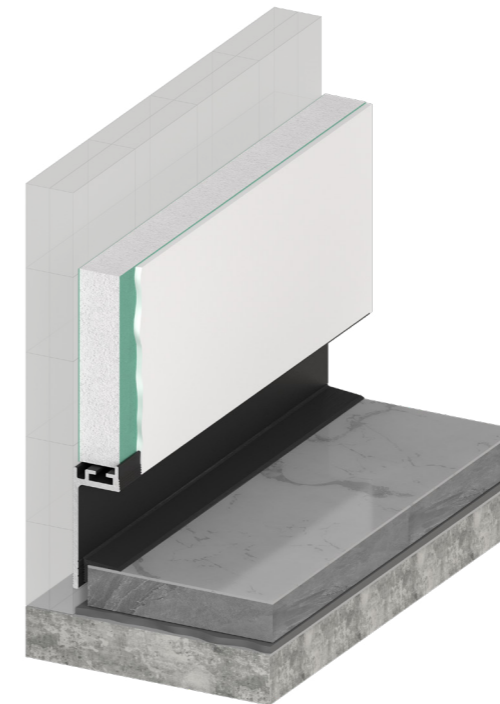
**SHADOW SKIRTING BOARD
(WITH LED LIGHTING)**
Color: black
Material: aluminum
Compatible: drywall

CORNER
Color: black
Material: plastic

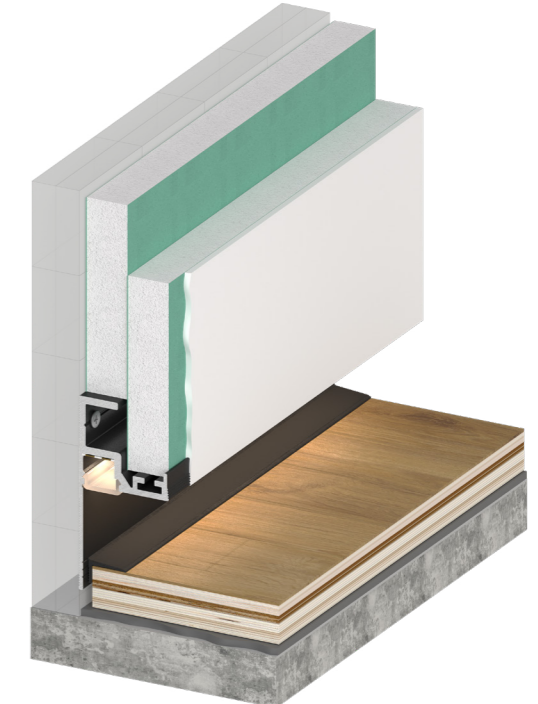
There are several different models: two superficial shadow boarding skirts (with or without LED lighting); one deep shadow boarding skirt equipped with LED lighting. All the models are suitable for drywall and plaster wall.



**SHADOW SKIRTING BOARD
(WITHOUT LED LIGHTING)**
Color: black
Material: aluminum
Compatible: drywall



**SHADOW SKIRTING BOARD
(WITH LED LIGHTING)**
Color: black
Material: aluminum
Compatible: drywall



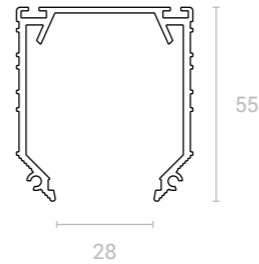


GIPPS INTRUDER TRACK INTEGRATION SYSTEMS

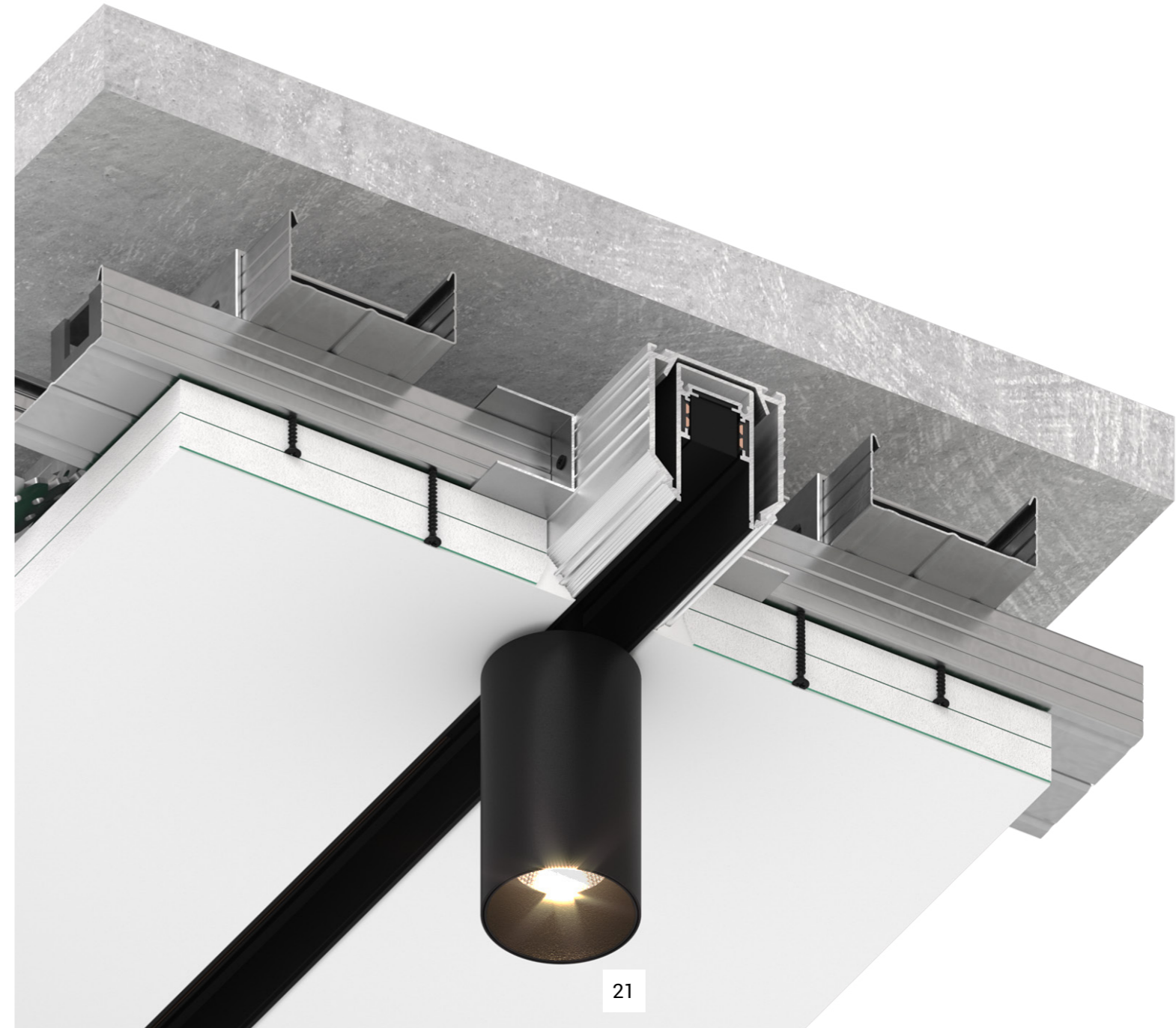
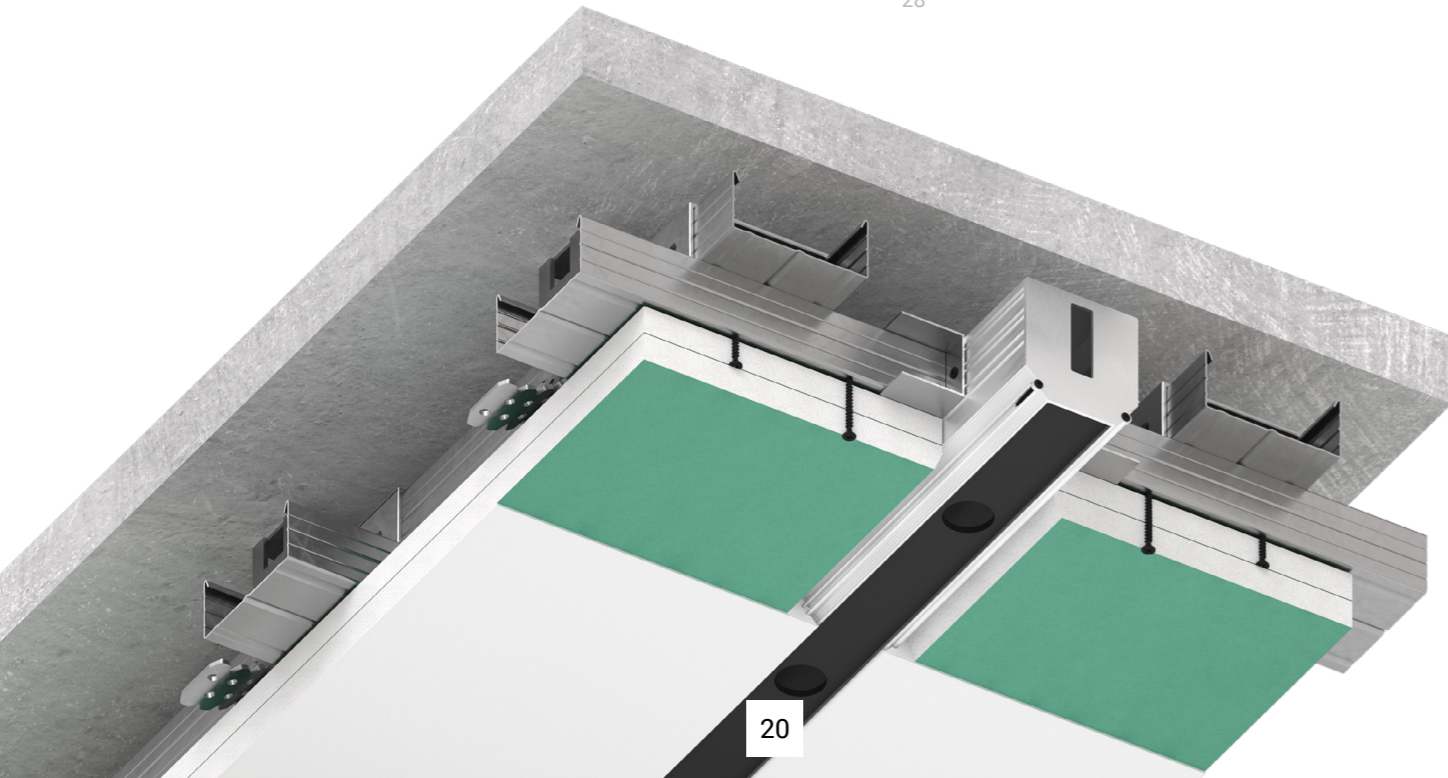
GIPPS Intruder – an integrated system of track lights in the drywall ceiling. The track integration system is intended to facilitate the mounting process and to make it more advanced.

The advantages of the system:

- once installed, the track profile remains serviced with a possibility of dismantling/replacement
- the track profile does not perform during painting works
- the system is designed to be mounted with various types of drywall constructions: one or two layers of drywall, various depth of panels
- a special temporary insert protects the internal profile part during painting works and works equally as a calibration unit, which sets the distance. It allows the system to withstand loads from linear extension of the drywall once it dries.



GIPPS INTRUDER
Color: unpainted
Material: aluminum
Compatible: drywall





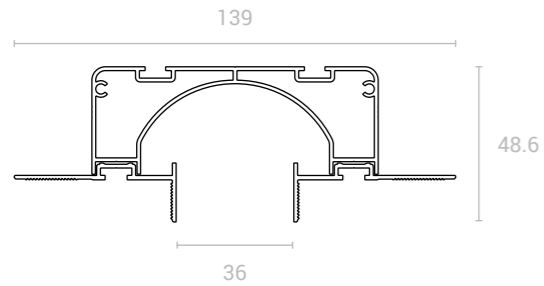
VR

GIPPS 35 RECESSED LIGHT LINE

GIPPS 35 is an open-type recessed light line without a diffuser and with a visible 35mm-wide line. Black SLOTT 35 is a structural profile used as a black recess for mounting spotlights or tracks. White and black-white profiles are designed for embedding hidden LED strip lights. The light reflected from the white walls of the recess is diffused and soft. Additional equipment can also be embedded into the profiles of these colors.

* GIPPS 35 is designed for a 12.5 mm drywall bottom sheet thickness

PLEASE NOTE! Black profile is categorically not suitable for LED strip light because such combination would lead to over 80% light loss.

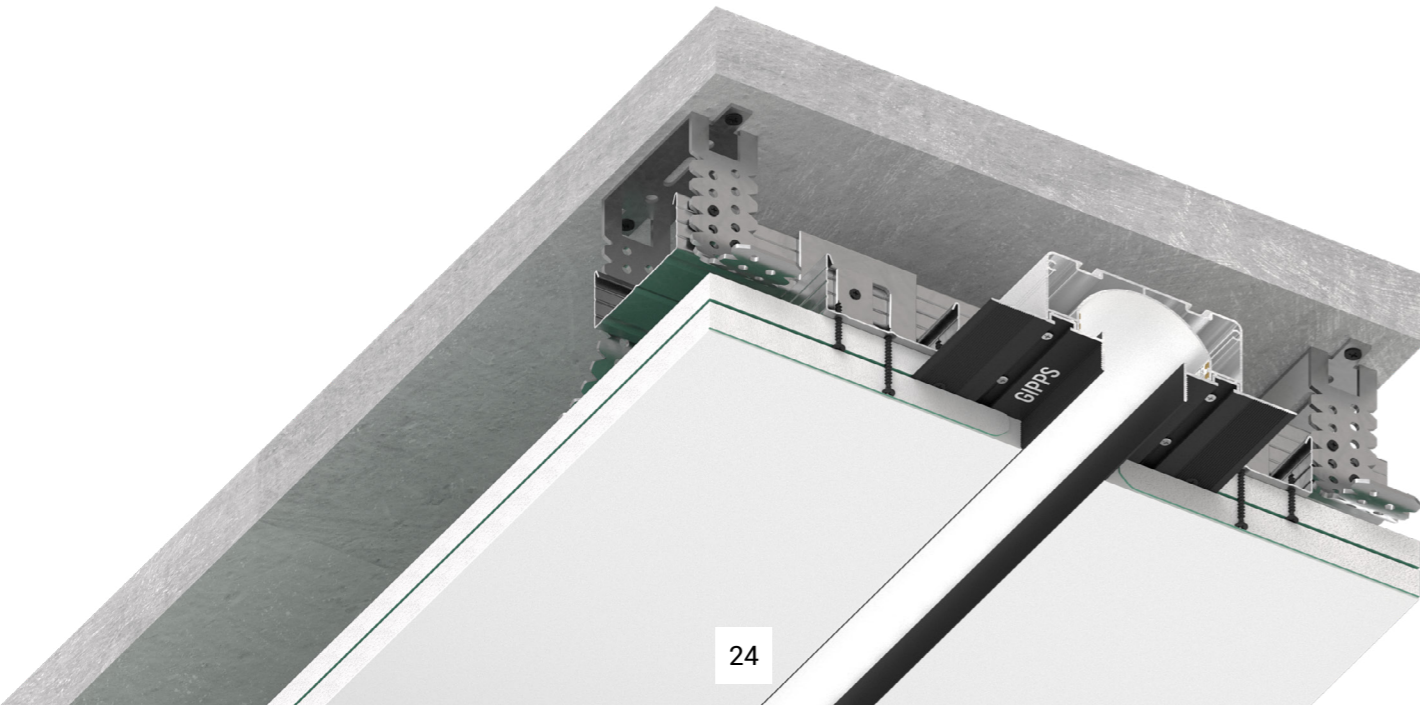


GIPPS 35

Color: black, white, black-and-white

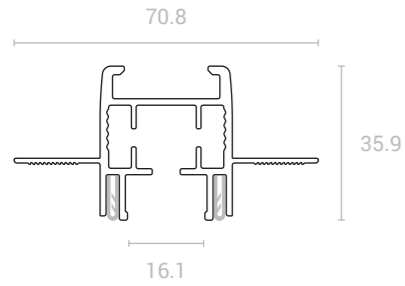
Material: aluminum

Compatible: drywall

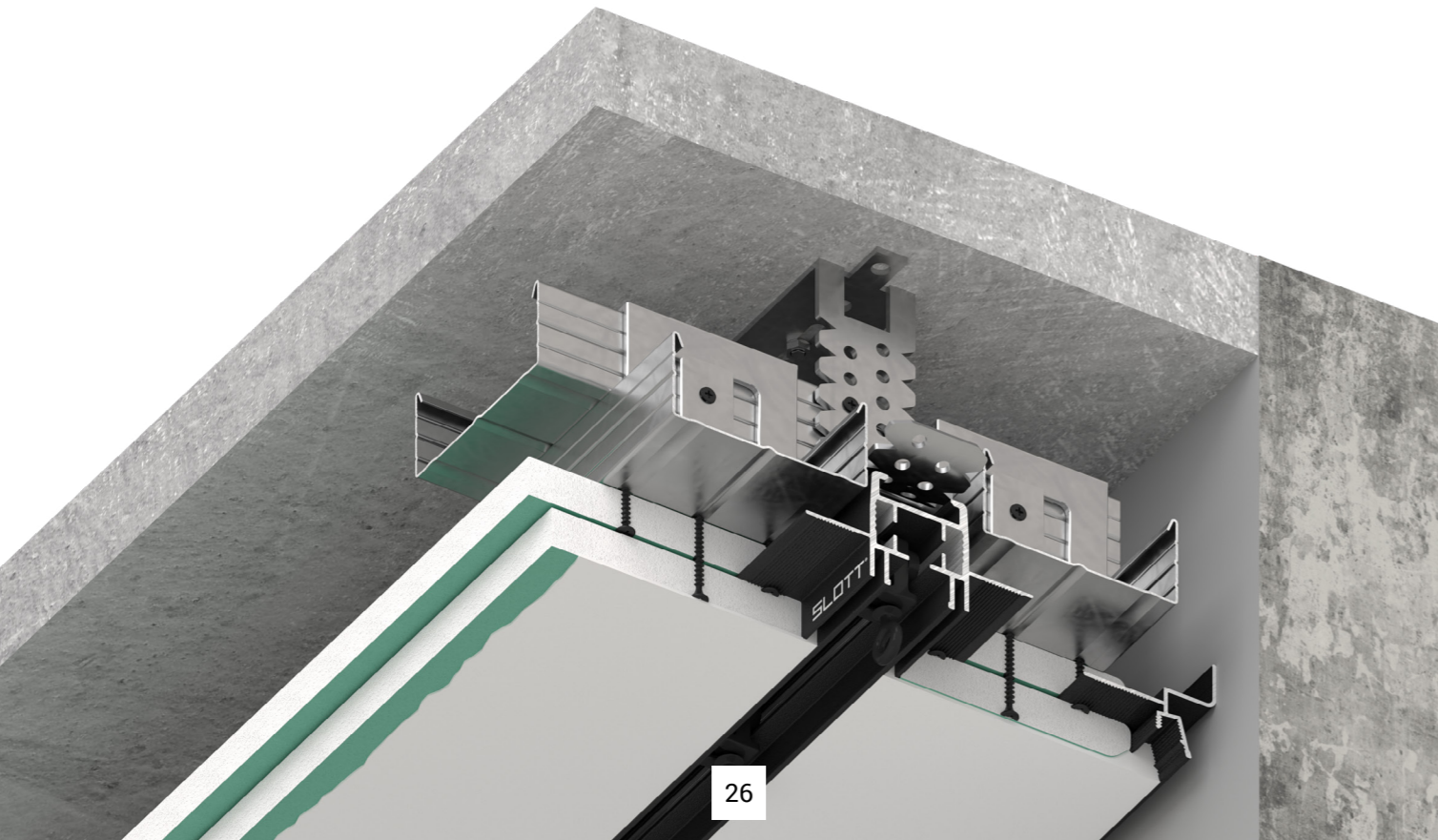


SLOTT MOTION ELECTRIC CURTAIN TRACK

SLOTT Motion is a single-row electric curtain track. It is characterized by silent gliders and a modern look. When using the motor drive, the curtain track is controlled by a smart home system, voice assistant, smartphone app, remote control or a wired button. The built-in solution is a thin strip in black or white to complement a modern, minimalist interior.

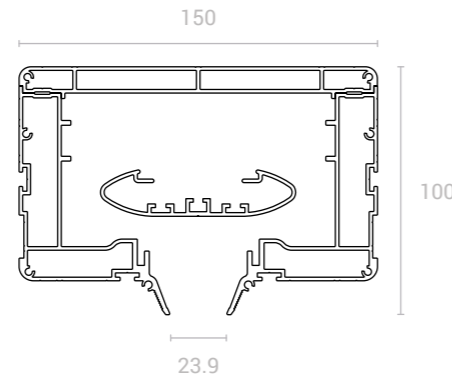


SLOTT MOTION
Color: black, white
Material: aluminum
Compatible: textile, PVC, drywall

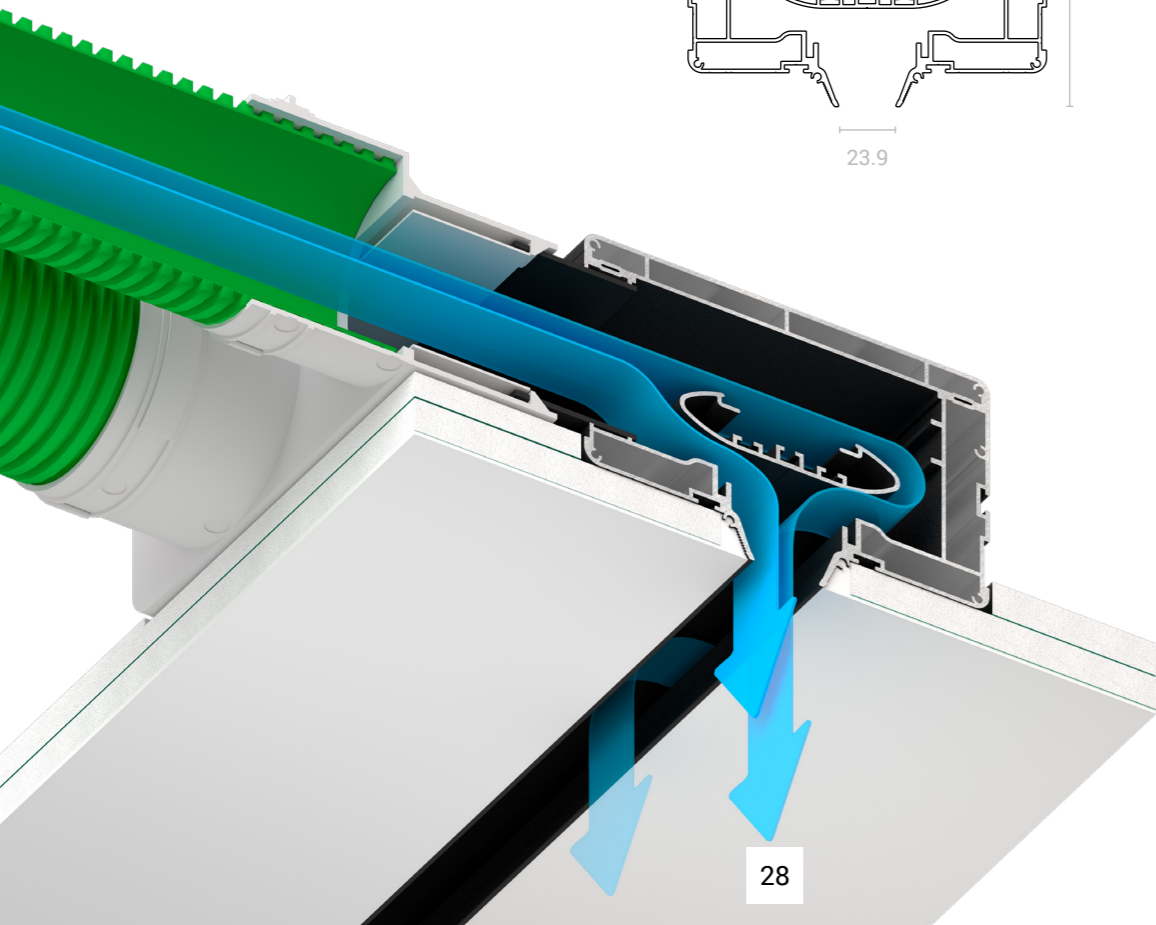


GIPPS 5+ (SLOT DIFFUSER)

Slot diffuser Gipps 5+ allows the ventilation system to be integrated into a stretch or drywall ceiling. A built-in plenum chamber is used to evenly distribute airflow in the ventilation system. A wing inside the system helps to regulate this flow. The compact size of the diffuser maintains the ceiling height and allows it to be installed anywhere.



GIPPS 5+
Color: black, white
Material: aluminum
Compatible: drywall



VR



WWW.KRAAB-SYSTEMS.EU



[KRAAB_SYSTEMS_EUROPE](https://www.instagram.com/KRAAB_SYSTEMS_EUROPE)



INFO@KRAAB-SYSTEMS.EU